

Shown in metallic green finish

Brightline's R-View fixture was developed to provide energy-efficient, broadcast-quality advanced fluorescent lighting in a format designed for wall-, stand-, or cart-mounted applications. Uses include business and governmental videoconferencing, distance learning, telemedicine, Internet video streaming, newsrooms, and nontraditional studios.

Specifications

Construction

20-gauge formed aluminum sheet-metal construction. 24-gauge formed specular primary and white secondary reflectors. Fixture body incorporates ANSI-standard 75-mm VESA mounting holes (mounting brackets not included). Black powder-coat finish is standard, with custom colors available by request.

Electrical

6-ft (1.8-m) attached power cord with a NEMA 5-15P plug is standard for 120V fixtures. The lamps use 2G11 4-pin sockets. Ballasts are available for 120V, 230V, or 277V 50-60 Hz operation. Ballasts are high-frequency electronic with a power factor $\geq 97\%$, a Class A sound rating, and a THD $< 10\%$.

Mounting

Fixtures are supplied with four mounting holes that can be used with a pivot bracket or a TVMP adapter. The optional pivot bracket allows for 15 degrees of tilt and 180 degrees of pan.

Dimensions and Weight

The fixture has dimensions of 22.82 in [579.63 mm] wide x 8.51 in [216.15 mm] high x 5.63 in [143.00 mm] deep, exclusive of connectors. The weight of the R-View fixture is approximately 8 lb [3.63 kg].

Dimming Ballasts

Dimmable fixtures can be locally controlled by a bottom-mounted rotary potentiometer (120V and 230V only). Other dimming options available by request.

Accessories

The fixture is provided with a louver assembly and frosted diffusion filter. A safety cable and C-clamp are available.

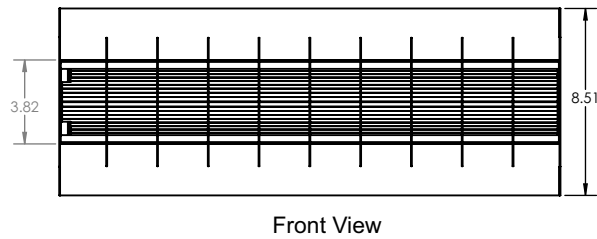
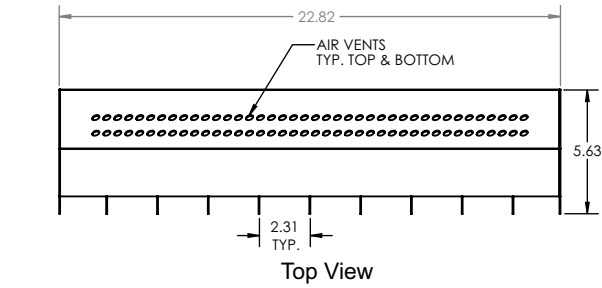
Labels

UL, cUL, C-Tick, and CE pending

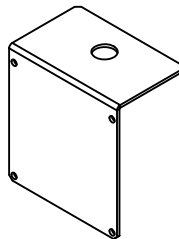
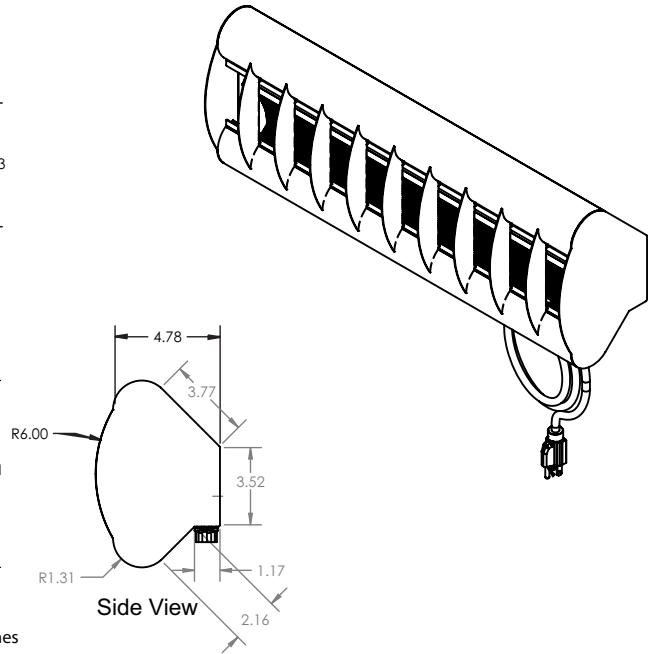
Specifications subject to change without notice.



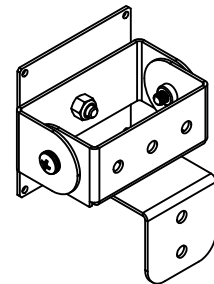
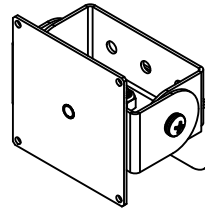
Standard black powder-coat finish and four optional colors shown



* dimensions in inches



Spud-Mount Bracket
Part Number: RV SPUD MOUNT



Wall-Mount Bracket
Part Number: RV WALL MOUNT

Model Number Guide:

Example: RV-R1

