

Brightline's R-View fixture was developed to provide energy-efficient, broadcast-quality advanced fluorescent lighting in a format designed for wall-, stand-, or cart-mounted applications. Uses include business and governmental videoconferencing, distance learning, telemedicine, Internet video streaming, newsrooms, and nontraditional studios.

#### **Construction**

20-gauge formed aluminum sheet-metal construction. 24-gauge formed specular primary and white secondary reflectors. Fixture body incorporates ANSI-standard 75-mm VESA mounting holes (mounting brackets not included). Black powder-coat finish is standard, with custom colors available by request.

#### **Electrical**

6-ft (1.8-m) attached power cord with a NEMA 5-15P plug is standard for 120V fixtures. The 2 lamps use 2G11 4-pin sockets. Ballasts are available for 120V, 230V, or 277V 50-60 Hz operation. Ballasts are high-frequency electronic with a power factor  $\geq 97\%$ , a Class A sound rating, and a THD  $< 10\%$ .

#### **Mounting**

Fixtures are supplied with four mounting holes that can be used with a pivot bracket or a TVMP adapter. The optional pivot bracket allows for 15 degrees of tilt and 180 degrees of pan.

#### **Dimensions and Weight**

The fixture has dimensions of 22.82 in [579.63 mm] wide x 8.51 in [216.15 mm] high x 5.63 in [143.00 mm] deep, exclusive of connectors. The weight of the R-View fixture is approximately 8 lb [3.63 kg].

#### **Dimming Ballasts**

Dimmable fixtures can be locally controlled by a bottom-mounted rotary potentiometer (120V and 230V only). Other dimming options available by request.

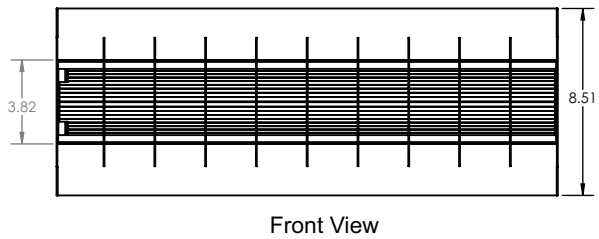
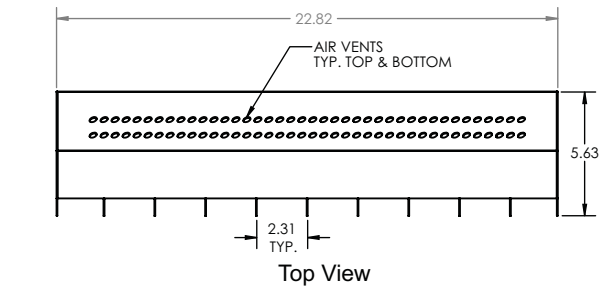
#### **Accessories**

The fixture is provided with a louver assembly and frosted diffusion filter. A safety cable and C-clamp are available.

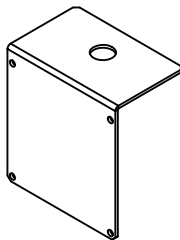
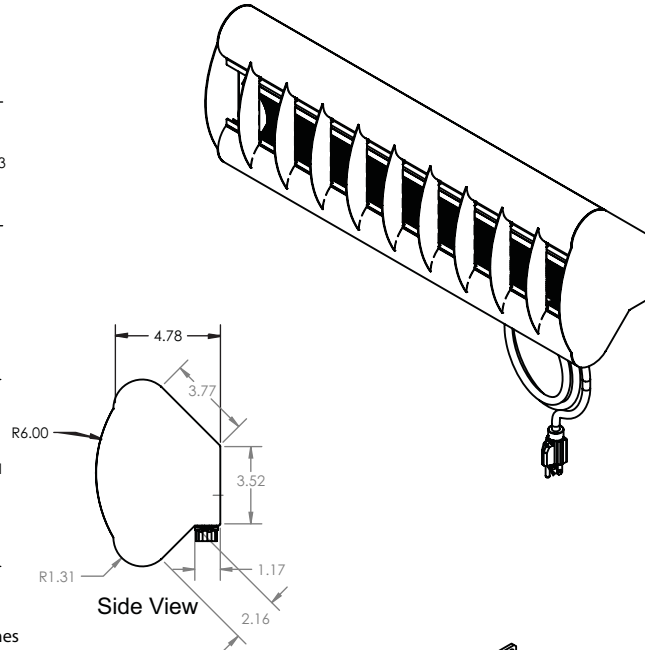
*Specifications subject to change without notice.*



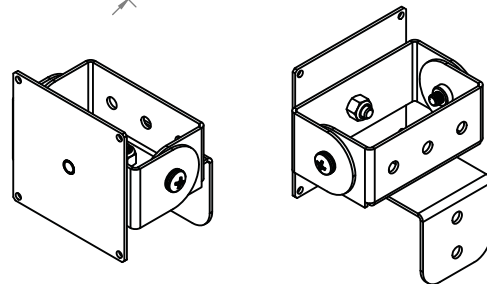
Standard black powder-coat finish and four optional colors shown



\* dimensions in inches



Spud-Mount Bracket  
Part Number: RV SPUD MOUNT



Wall-Mount Bracket  
Part Number: RV WALL MOUNT

<b>RV</b>
R-View

Control	Voltage
R = Rotary Dim	1 = 120V
	2 = 230V
* Other dimming options available by request *	

Finish
BL = Black Finish
CF = Custom Finish

Shipping Information
Length: 25 in (635 mm)
Width: 12 in (305 mm)
Height: 13 in (331 mm)
Weight: 22 lb (10 kg)