

Specifications

Housing: 22-gauge cold-rolled steel; with 18-gauge endcaps. Low-gloss off-white finish (RAL9010) standard; custom colors available.

Lens: optional, removable acrylic prismatic lens. Mounting bracket for lens attaches to fixture.

Reflector: optional hammer-tone aluminum reflector available. Attaches to fixture ballast cover.

Ballast: (3) or (4) digital high-frequency electronic ballasts for (1) or (2) 28W lamps, 110-120VAC 60Hz or 230/240VAC 50 Hz. Two-Lamp ballast allows for doubling of blue lamps. Power factor \Rightarrow .97, Class "A" sound rating, THD <10%. The ballasts allow dimming down to 1% intensity without flashing or flickering.

Lamps: (3) or (4) digital high-frequency electronic ballasts for (1) or (2) 28W lamps; the HO version provides for 54 watt lamps. Red, green, and blue colored sleeves used with 28W lamps provide more saturated colors. White lamps in several color temperatures are also available.

DMX Unit: ("XX" option, see part numbering info on Page 2) DMX controllable. Has DMX and power In and Out receptacles. Use in situations where each fixture in a Run requires separate DMX control.

DMX Master Unit: ("XD" option) DMX controllable. Has DMX and Power In; and DSI and Power Out receptacles. DMX Thru receptacle also provided. Used to provide control input for up to (9) Remote units.

Remote Unit: ("DD" option) DSI/DALI controllable, either by a DMX Master or by an external source of DSI/DALI control. DSI/DALI and Power In; and DSI/DALI Power Out. DALI Protocol Converter required on last fixture in Run for DALI operation. Only this fixture available in 277V AC.

Inline Unit: ("I" option) Configured for inline operation. Receptacles for Control and Power In and Out.

Start of Run Unit: ("S" option) This fixture is provided with knock-outs for the power input connection in lieu of the modular connector.

Power Bussing: internal power bus is limited to 8 Amperes. Fixture type and voltage will determine how many units may be connected together. Contact the Factory for assistance.

Mounting Options: right-angle brackets provided with each fixture. Brackets are on 32" [81.3 cm] centers or optionally, 24" [60.9cm] centers. Brackets installed by brightline. Additionally, holes in fixture housing allow for mounting on 42" [106.7 cm] centers.

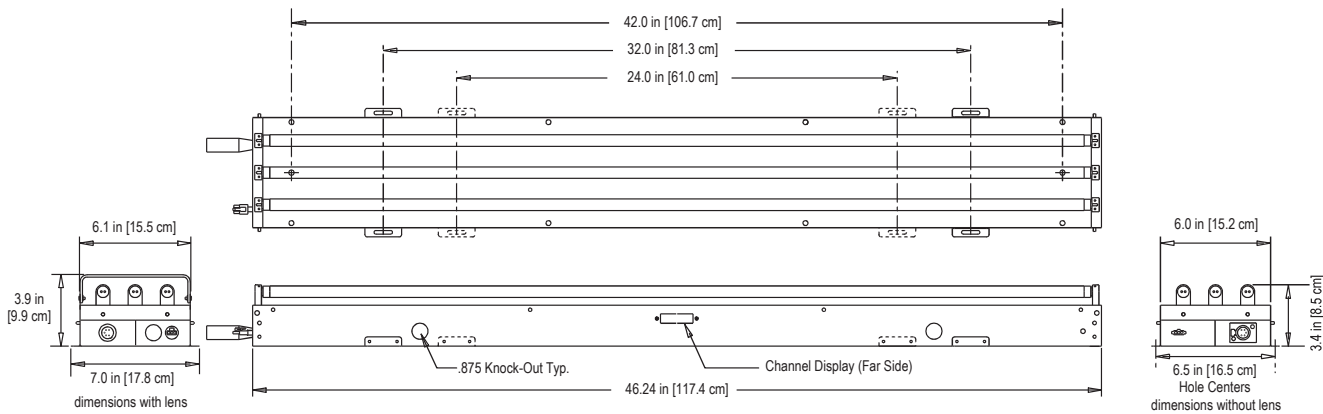
Splice Plates: two splice plates are provided with each fixture to physically attach them together, to increase the mechanical rigidity of the fixture run.

Power and Control Wiring: modular input/ and or output connectors are provided for the DSI/DALI signal and the power source. The fixtures are configured to install end-to-end without a gap between them; connectors on one end will retract into fixture body. An optional metal endcap is available for protecting the output receptacles of the last fixture on a run.

Lamp Sockets: G5, 2-pin twist and lock molded white high-strength thermoplastic.

Listing: UL, CE, and cUL listed.

Included: fixtures come with (3) or (4) 28 or 54W (HO option) lamps, color sleeves for 28W lamps, and a pair of splice plates.



Accessories and Spares

- MC4-EC Endcap; used for terminating fixture run
- MC-CP DSI to DALI Conversion Plug
- MC4-LK Prismatic Lens Kit; includes mounting brackets (not available for HO version)
- MC4-HR Hammertone Reflector
- 009-T528025 28W Red Lamp (spare)
- 009-T528121 28W Green Lamp (spare)
- 009-T528079 28W Blue Lamp (spare)
- 009-T554W025 54W Red Lamp (spare)
- 009-T554W121 54W Green Lamp (spare)
- 009-T554W079 54W Blue Lamp (spare)
- 016-217 4' Red Sleeve (spare)
- 016-218 4' Green Sleeve (spare)
- 016-219 4' Blue Sleeve (spare)
- 016-238 4' Amber Sleeve
- CTX-__ DALI/DSI Control Cable (__ = length in feet)
- MTX-__ DMX Control Cable (__ = length in feet)

Part Numbering

